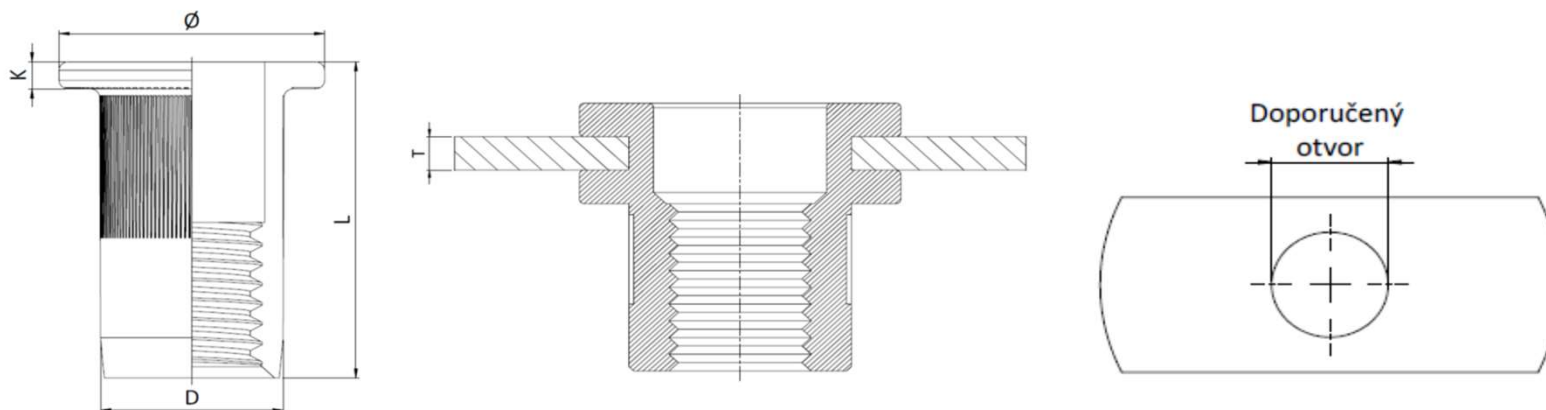


E1NRM



nerezová redukovaná nitovacia
matica, zapustená hlava, ryhovaný
driek, AISI304

| Označenie | Závit | Hrúbka plechu Min - Max T[mm] | Doporučený otvor +0.1 / 0 [mm] | D [mm] | Ø [mm] | K [mm] | L [mm] |
|-----------|---------|-------------------------------------|--------------------------------------|--------|--------|--------|--------|
| E1-NRM5 | M5x0.8 | 0.5-2.5 | 7.0 | 6.9 | 8.0 | 0.8 | 11.8 |
| E1-NRM6 | M6x1.0 | 0.5-3.0 | 9.0 | 8.9 | 10.1 | 0.8 | 14.0 |
| E1-NRM8 | M8x1.25 | 0.5-3.0 | 11.0 | 10.9 | 11.9 | 0.8 | 16.0 |
| E1-NRM10 | M10x1.5 | 0.8-3.5 | 13.0 | 12.9 | 14.5 | 1.0 | 19.5 |